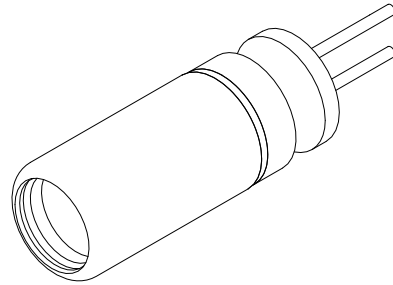


$\Phi 3.3\text{mm}$ 635nm Laser Module **$P_o < 1\text{mW}$** **Features**

1. APC (auto power control) IC inside
2. Low current consumption of the APC circuit
3. Much smaller LD module
4. Surge current protection
5. High quality glass lens for output beam

Absolute maximum ratings

Item	Symbol	Rating	Unit
Power supply voltage	V_{cc}	3.3	V
Laser Module optical output power	P_o	<1	mW
Operation temperature	T_{opr}	0~40	°C
Storage temperature	T_{stg}	0~80	°C

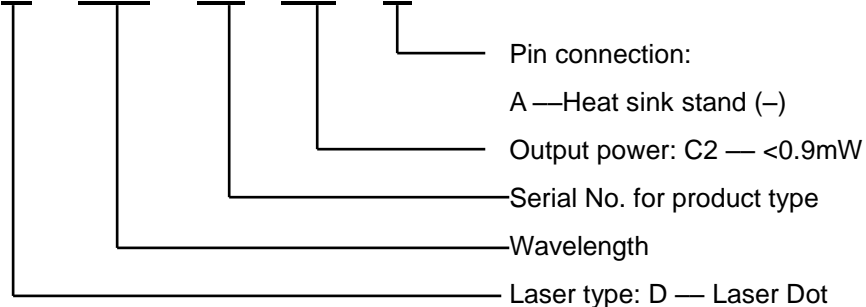
Electrical and optical characteristics ($T_c=25^\circ\text{C}$)

Item	Symbol	Min.	Typ.	Max	Unit	Condition
Wavelength	λ	630	635	640	nm	$P_o = 0.9\text{mW}$
Operation current	I_{op}	-	-	33	mA	$P_o = 0.9\text{mW}$ $V_{cc} = 3\text{V}$
Output power	P_{out}	0.5		0.9		$V_{cc} = 3\text{V}$
Operation voltage	V_{op}	2.5	-	3.3	Volt	
Laser Beam spot size at 5m		<12mm				
Divergence angle		2 mrad				

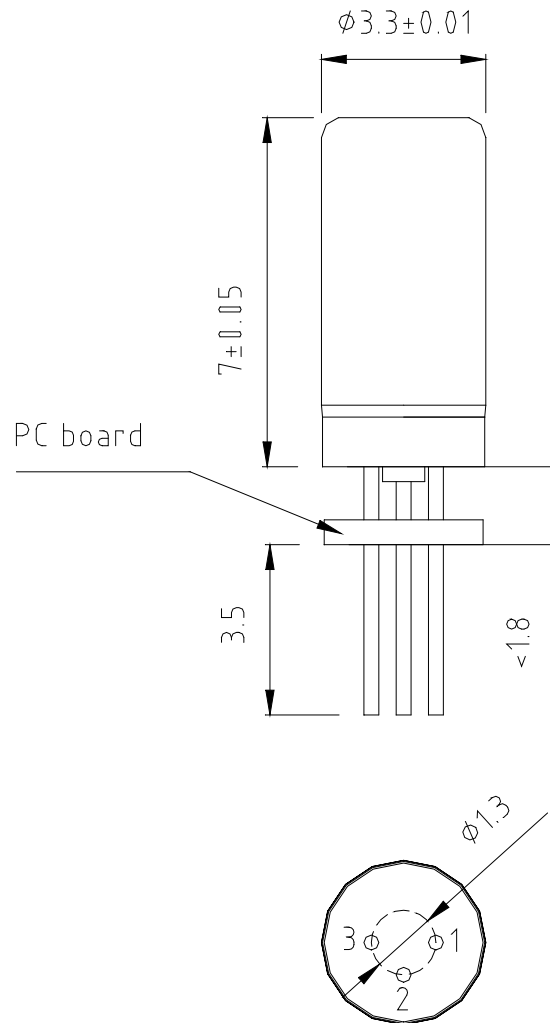
Notes : If laser module is operated without applicable heat sink , electrical and optical characteristics may be out of specifications.

Indication:

APC D – 635 – 07 – C2 – A



Outline dimensions (Units: mm)



Pin 1 : Vcc

Pin 2 : GND

Pin 3 : NC (No external connection)

Laser Safety Precautions

1. Do not look into the laser beam directly by eyes. The laser beam may cause severe damage to human eyes.
2. Optical Lens is made of plastic . Do not contaminate lens by soiling, oil or chemical.