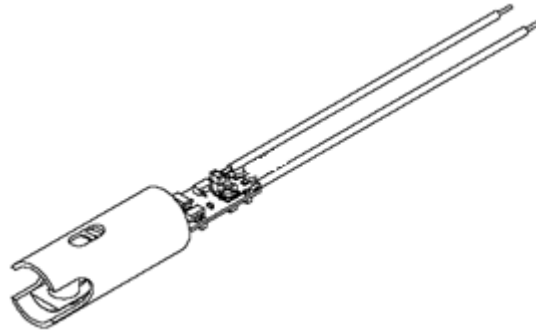


## Φ11.5mm 450nm Laser Line Generator

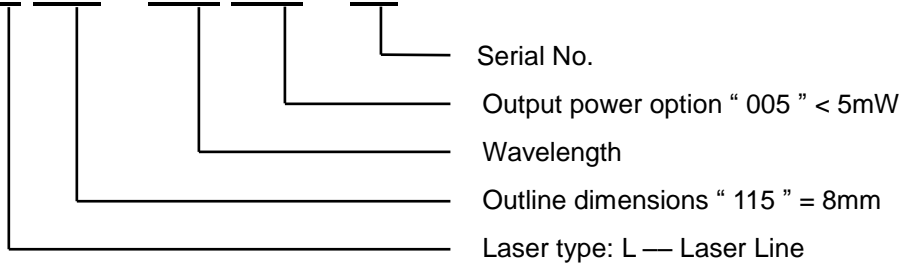
### Features

1. APC (auto power control) driver
2. 10mW output power
3. High quality glass lens
4. High brightness
5. better line quality



### Part No. Indications:

AML- L 115 - 450 005 - 01



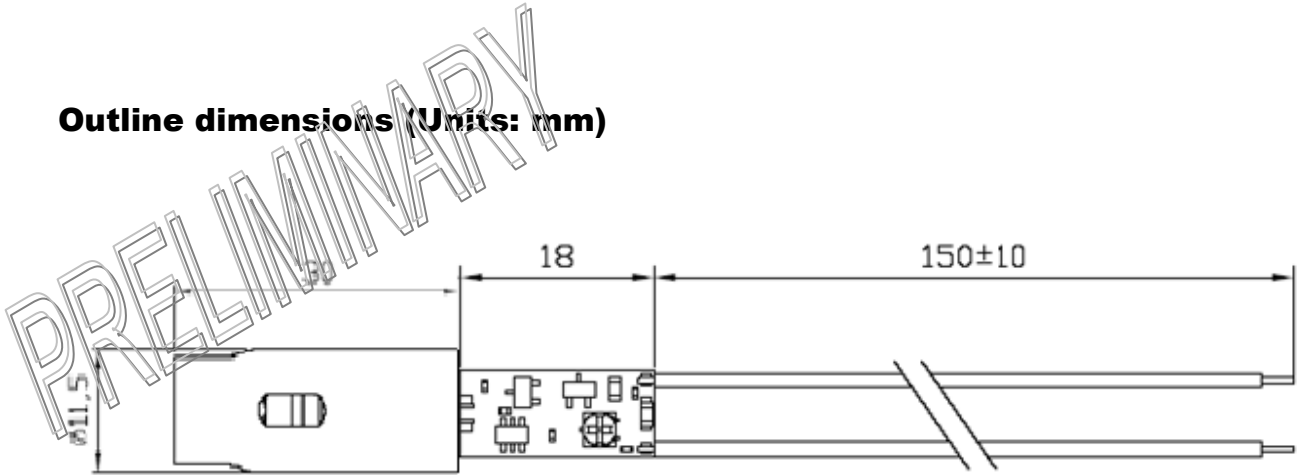
### Absolute maximum ratings (T<sub>c</sub>=25 °C)

Item	Symbol	Rating	Unit
Power supply voltage	V <sub>cc</sub>	6	V
Laser Module optical output power	P <sub>o</sub>	6	mW
Operation Case Temperature	T <sub>c</sub>	0~60	°C
Storage Temperature	T <sub>stg</sub>	-40~85	°C

### Electrical and optical characteristics (T<sub>c</sub>=25 °C)

Item	Symbol	Min.	Typ.	Max	Unit	Condition
Wavelength	λ	440	450	460	nm	P <sub>o</sub> =10mW
Output power	P <sub>out</sub>	5	-	10	mW	V <sub>cc</sub> =3V
Operation current	I <sub>op</sub>	-	150	200	mA	P <sub>o</sub> =10mW V <sub>cc</sub> =3V
Operation voltage	V <sub>op</sub>	3	-	6	Volt	
Laser line accuracy		< 0.01° (40") at 4m				
Emitting angle		> 120°				

**Outline dimensions (Units: mm)**



**Unit: mm**

**Red wire : Vcc**

**Black wire : GND**

**Laser Safety Precautions**

1. Do not look into the laser beam directly by eyes. The laser beam may cause severe damage to human eyes.
2. Optical Lens is made of plastic or glass . Do not contaminate lens by soiling, oil or chemical.