

Blue Laser Diode Module **AML-D105-450005-01**

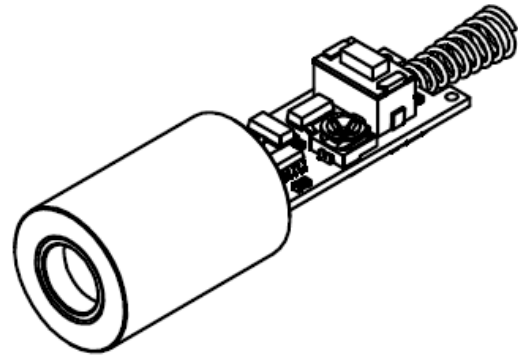
5mW Blue Laser Module

Features

1. APC (auto power control) driver circuit
2. Wide input voltage range (3~ 6VDC)
3. Stable Output power of <5mW
4. High quality glass lens for output beam

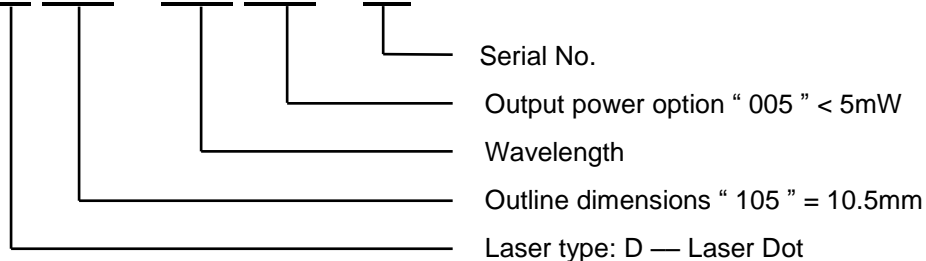
Applications

1. General purpose Blue laser light source
2. Industrial laser marker
3. Laser leveler



Part No. Indications:

AML- D 105 - 450 005 - 01



Absolute maximum ratings ($T_c=25^\circ\text{C}$)

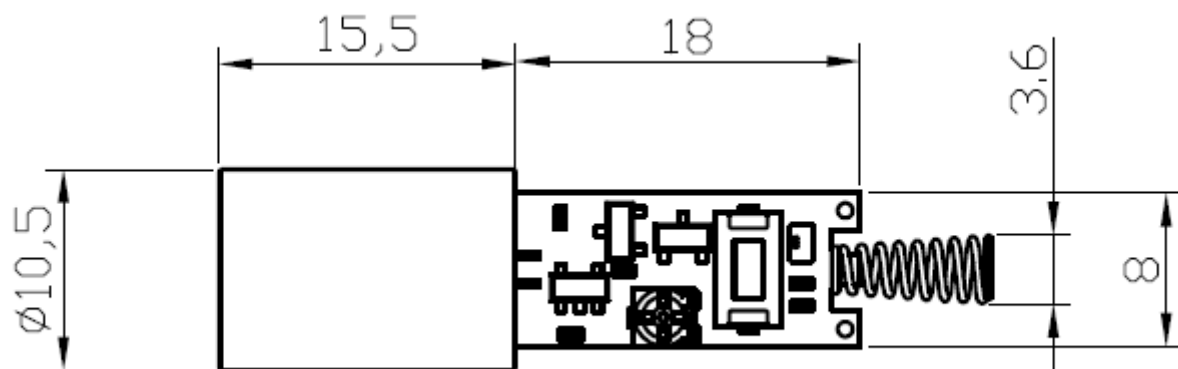
Item	Symbol	Rating	Unit
Power supply voltage	V_{cc}	6	V
Laser Module optical output power	P_o	7	mW
Operation Case Temperature	T_c	0~40	$^\circ\text{C}$
Storage Temperature	T_{stg}	0~60	$^\circ\text{C}$

Electrical and optical characteristics ($T_c=25^\circ\text{C}$)

Item	Symbol	Min.	Typ.	Max	Unit	Condition
Wavelength	λ	435	445	455	nm	$P_o=5\text{mW}$
Output power	P_{out}		<5		mW	$V_{cc}=3\text{V}$
Operation current	I_{op}	-	110	140	mA	$P_o=5\text{mW}$ $V_{cc}=3\text{V}$
Operation voltage	V_{op}	3	3.3	6	Volt	
Laser Beam spot size at 10m			<10mm			
Divergence angle			1.1mrad			

Blue Laser Diode Module **AML-D105-450005-01**

Outline dimensions (Units: mm)



Unit: mm

Housing case : Vcc

Spring: GND

Laser Safety Precautions

1. Do not look into the laser beam directly by eyes. The laser beam may cause severe damage to human eyes.
2. Optical Lens is made of glass . Do not contaminate lens by soiling, oil or chemical.