

Features

5.6mm package and 650nm 7mW 70°C operation

Low operation current

Saving space and cost of laser module

Voltage driven LD, easy to use

Absolute maximum ratings

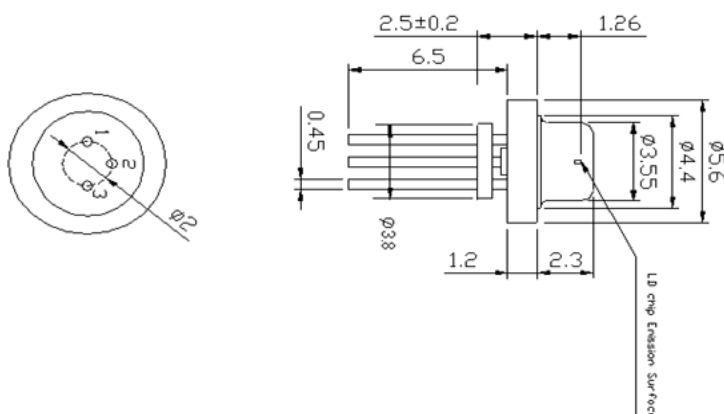


Parameter	Symbol	Rating	Unit
Power supply voltage	V _{cc}	3.3	V
Laser optical output power	P _o	2	mW
Operation temperature	T _{opr}	-10~+70	°C
Storage temperature	T _{stg}	-40~+85	°C

Electrical and optical characteristics (T_c=25 °C)

Parameter	Symbol	Min.	Typ.	Max.	Unit	Conditions
Wavelength	λ	645	655	660	nm	P _o = 1.5mW
Optical output power	P _{out}	0.5	1	1.5	mW	; V _{cc} =3V
Operation current	I _{op}	-	30	40	mA	P _o =1.5mW
Operation voltage	V _{op}	2.7	3	3.3	V	P _o =1.5mW
Parallel divergence angle	θ	6	9	12	Deg	P _o =1.5mW
Perpendicular divergence angle	θ -	25	30	32	Deg	P _o =1.5mW
Parallel FFP deviation angle	Δ θ	-3.0	0	+3.0	Deg	P _o =1.5mW
Perpendicular FFP deviation angle	Δ θ	-3.0	0	+3.0	Deg	P _o =1.5mW
Emission point accuracy	Δ xΔyΔz	-80	0	+80	um	P _o =1.5mW

Outline dimensions (Units: mm)



Pin 1 : V_{cc}

Pin 2 : GND

Pin3 : NC (no external connection)

• Precautions

- * Do not operate the device above maximum ratings. Doing so may cause unexpected and permanent damage to the device.
- * Take precautions to avoid electrostatic discharge and/or momentary power spikes. A change in the characteristics of the laser or premature failure may result.
- * Proper heat sinking of the device assures stability and lifetime. Always ensure that maximum operating temperatures are not exceeded.
- * Observing visible or invisible laser beams with the human eye directly, or indirectly, can cause permanent damage. Use a camera to observe the laser.
- * No laser device should be used in any application or situation where life or property is at risk in event of device failure.
- * Specifications are subject to change without notice. Ensure that you have the latest specification by contacting us prior to purchase or use of the product.

ARIMA LASERS CORP.

PHONE: 886-3-4699800 | FAX: 886-3-4699600

E-MAIL: Ldsales@arimalasers.com | www.arimalasers.com

For reference only. Contents above are subject to change without notice.